

Proudly



MADE IN USA



WALL MOUNT



DUCT MOUNT

Model 350

Infrared Carbon Dioxide Sensor

Bullet-Proof Performance!

The AirSense™ Model 350 delivers reliable and hassle-free carbon dioxide (CO₂) sensing. You know us as a leader in CO₂-sensing, but the Model 350 is the strongest, most reliable, and most versatile product we have ever offered!

The Model 350 employs our patented single button calibration, which makes field calibration a snap... but please do not be disappointed if you never need to use this easy calibration feature, because the Model 350 is engineered to give you the best stability available in a low-cost PPM CO₂ sensor!

irSense M350 CO₂ Sensor

SIMPLY SMART

Engine

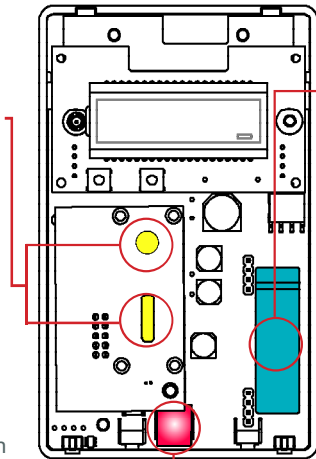
All new compact CO₂ sensor with a dual-beam detector increases precision

Filter

1 micron dust filter improves long-term stability

Relay

To easily control either the N.C. or N.O. terminal when CO₂ level is below a setpoint

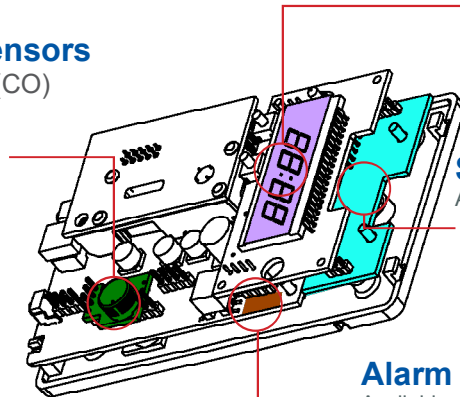


Multi-gas sensors

Carbon Monoxide (CO)

Relative Humidity sensor (RH)

Volatile Organic Compounds (VOC)



Display

4 digit super clear LCD

Simplicity

Available output configuration

- 4-20 mA output
- 0-5 V output
- 0-10 V output

Alarm

Available alarm alert occupants when CO₂ levels exceed setpoint

Responsibility



You get more for less!

The AirSense Model 350 is the successor to our tried-and-true Model 310e. This next generation product allows you to order only those features you need, saving you money!

In addition, new features are now available for very little cost!

- Relative Humidity sensor (RH)
- Volatile Organic Compounds (VOC)
- Carbon Monoxide (CO)

Win more bids with the versatile and inexpensive Model 350!

Made in America

All AirSense products always have been, and always will be designed and manufactured in America!

CARBON DIOXIDE SENSOR (CO₂)

Parameter	Value
Operating Principle	Dual-beam Non-dispersive infrared
Gas Sampling Method	Diffusion
Measurement Range	0-2000 ppm (Other ranges available by request)
Alarm set point (factory default)	2000 ppm (Other set point available by request)
Repeatability	± 20 ppm CO ₂
Measurement Accuracy	± 30 ppm ± 2% of reading
Recommended Calibration Interval	5 years
Warm Up Time	Less than 1 minute
Power Requirements	18 - 30 VDC or 18 - 28 Vrms AC
Operating Temperature Range	0 - 50 °Celsius
Operating Humidity Range	0 - 95% RH, non-condensing
Voltage Output (linear)	0 - 10 VDC full-scale standard (0 - 5 VDC available)
Optional Current Output (linear)	4-20 mA R _{LOOP} < 600 Ω
Calibration	Single gas: 2,000 ppm (kits available)
Dimensions	4.5 x 2.8 x 0.9 inches
Warranty	7 years on electronic components, 3 years on NDIR sensor

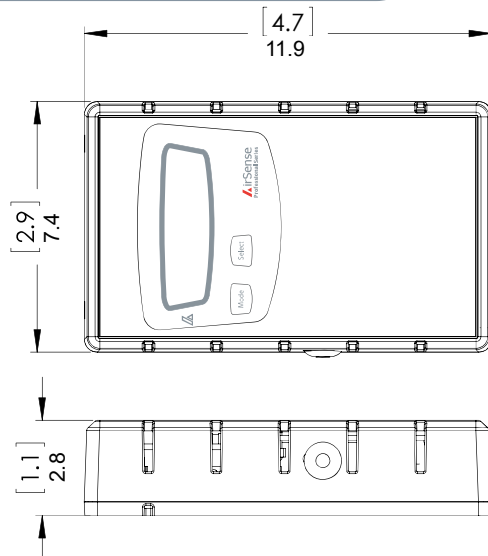
Ordering Table

Series	Gas sensor
350	CO ₂
351	CO
352	VOC
353	CO ₂ /CO
354	CO ₂ /VOC
355	CO/VOC
356	CO ₂ /CO/VOC (duct only)

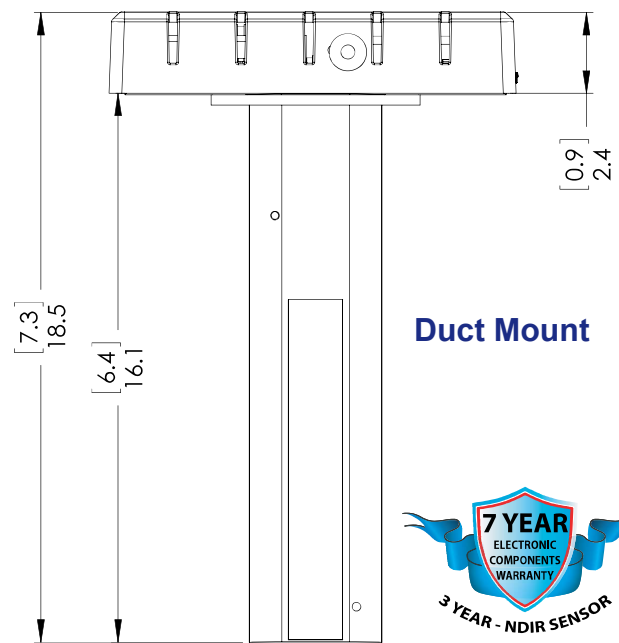
Mount style	Description	Optional Relay		Optional Piezo Alarm	
W	Wall-mount	R	Relay included	A	Alarm included
D	Duct-mount	Blank	No relay	Blank	No Alarm

3 5 0 W V R L A R H

Output	Description	Optional LCD		Optional RH Sensor	
V	0-5 or 0-10V	L	LCD included	RH	RH Sensor included
C	4-20mA	Blank	No LCD	Blank	No RH Sensor



Wall Mount



Duct Mount

